

GreenStar’s newest generation of Residential LED Street and Area Lighting, the CN, offers a sleek modern design weighing less than 12 pounds for models CN High Lumen Series. It is ideal for 2 and 3 lane local and collector roadways, achieving IESNA RP8 standards up to 170’ pole intervals. The performance is equivalent to 180 W through 250W High Pressure Sodium (HPS) Luminaires and provides energy savings of 65% or greater. The CN is designed to meet the needs of Municipalities, Utilities, Electric Cooperatives, Parks, Paths, and other Roadway and Area applications.

Features:

Construction— Heavy-duty, corrosion-resistant, low copper, die cast aluminum housing with stainless steel hardware for strength and durability. A powder-coated finish provides excellent resistance to extreme environments.

LED’s—CNHL incorporates advanced high-efficiency 4000K/5000K/5700K (>70CRI) components for roadway distribution patterns. Each provides optimized light delivery to uniformly illuminate target areas.

Electrical— Available in 100-277V at 50/60Hz. Power Factor of >95%. Total Harmonic Distortion (THD) is <10%. Exceeding Energy Star requirements, the CNHL conforms to a majority of roadway, co-operative, and municipal government performance mandates and standards. Efficacy of 130+ lumens per watt (up to 100 W) enables CNHL to properly manage heat dissipation while enhancing performance and longevity.

Optics—Precision-molded optics. IESNA Type II distributions available. Cutting edge photometric design provides zero light above the horizontal plane/axis delivering optimized uniformity to the illuminated areas

LED Rated Life (L70) - These high quality LED’s are rated for more than 5 years @25°C (77°F) ambient environment per LM-80, TM21.

Protection/Ingress— LED and driver compartments are IP66 certified. Surge compartment is IP54 certified.

Photo control Options—Available with 3, 5 and 7 pin NEMA receptacle optional*.

Surge Protection—10kV/5kA (ANSI/IEEE C64.41.2) is standard and replaceable.

FCC Compliance- CISPER 15 compliance (PSU Specific)



90-120 W



With 7 PIN Receptacle



With Dome Camera



Max Pole Diameter
2.91 inch (74 mm)

Example: CNHL90421SC

Ordering Table:

Model	Wattage	CCT	Distribution	Voltage	Color	Control Option
CNHL	90	3=3000K 4=4000K 5=5000K	2= IESNA Type II	1= 110-277 V	S= Silver (Standard) B=Brown**	C=No Photocell & Receptacle N=3-pin NEMA Receptacle
CNHL	100					
CNHL	120					

*Standard Product is without receptacle

**For Brown Colour, MOQ 500 is required

Mounting:

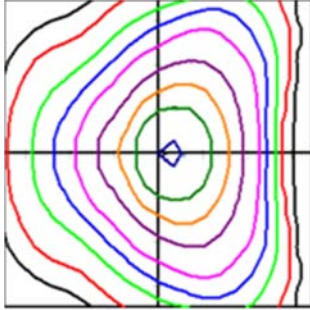
A slip fitter mount accepting horizontal arms up to 2.5” OD. Installation and electrical connection is accomplished with easy access mounting bolts.



CN HIGH LUMEN

Photometric:

CN90, 4000K, Type II

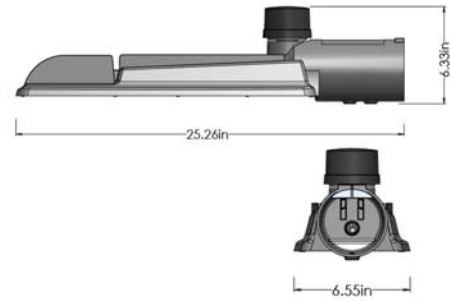


Lum. Classification System (LCS)

LCS Zone	Lumens	% Lamp	% Lum
FL (0-30)	1488.4	N.A.	12.2
FM (30-60)	4636	N.A.	38.0
FH (60-80)	2244.8	N.A.	18.4
FVH (80-90)	36.6	N.A.	0.3
BL (0-30)	939.4	N.A.	7.7
BM (30-60)	1988.6	N.A.	16.3
BH (60-80)	805.2	N.A.	6.6
BVH (80-90)	24.4	N.A.	0.2
UL (90-100)	0.0	N.A.	0.0
UH (100-180)	0.0	N.A.	0.0
Total	12200	N.A.	100.0

BUG Rating B1-U0-G1

Weight and Dimensions:



CNHL

EPA: 0.9 sq. ft.
 Length: 25.23in. (64.08 cm)
 Width: 6.49 in. (16.48 cm)
 Height: 4.25 in. (10.8 cm)
 Weight: 11.25 lbs.

PERFORMANCE SUMMARY:

Model	Input Watts	Input Current (A)	Distribution Type	4000K	
				Lumens	Min Efficacy (LPW)
CN90	90	0.11	II	12200	130
CN100	100	0.17	II	13,100	130
CN120	120	0.23	II	14,500	120

Accessories:

A : Photocell



For Automatic ON and OFF

B: Camera Shield



For Camera Anti- Glare